

DEWATERING PERFORMANCE SIMPLIFIED

STATIC MIXING PLATES AND INJECTION RINGS

Superior, efficient, and simple mixing with low amount of head loss.

Prime Solution is recognized throughout the wastewater treatment industry as one of the most reliable manufacturers, known for delivering superior performance and unmatched customer service. From its humble beginnings in a Midwest barn, Prime has grown into a trusted name with a proven record of excellence, providing advanced, operator-friendly dewatering solutions.

Our mission is simple: to design and manufacture systems that consistently meet or exceed customer expectations. By focusing on reliability, ease of operation, and measurable performance, Prime continues to set the standard for effective, sustainable dewatering solutions.

ADVANTAGES

- Reduced chemistry costs
- Available in 1" to 8" line sizes
- Four different mixing styles
- Injection rings and manifolds
- Customizable injection ports
- Easy integration
- Uses standard connections
- No electrical requirements
- Provides for low pressure drop mixing
- Adjustable for varying flows and viscosities
- Low sheer, non-ragging
- Stainless steel and plastic models available

APPLICATIONS

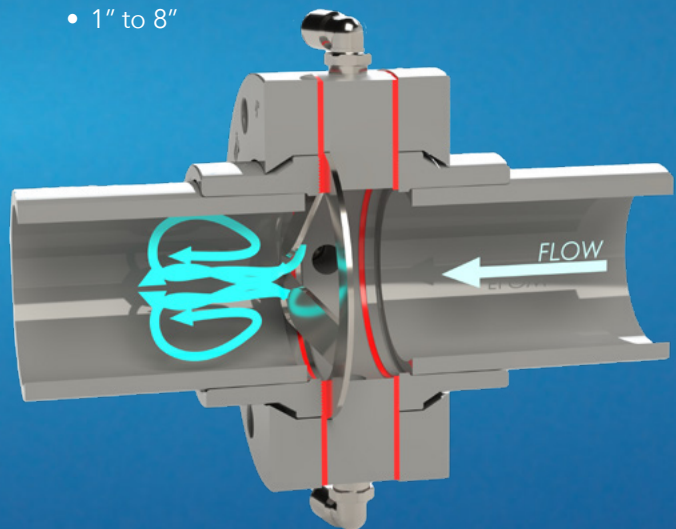
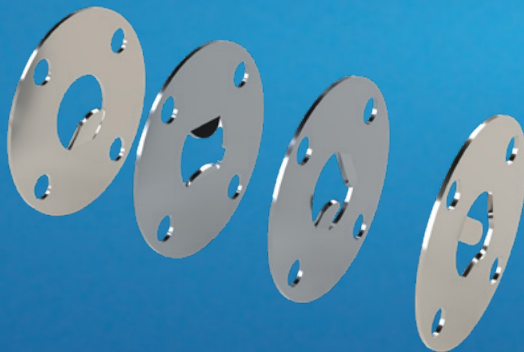
- Sludge/slurry conditioning
- pH control admixing
- Blending of additives
- Blending of low & high viscosity fluids
- Potable water
- Waste water

USED FOR

- General mixing
- Aggressive mixing

SPECS

- 1" to 8"



To learn more about Prime Solution Mixing Plates call (269) 694-6666.



Prime Labs

Want to confirm that the Prime Rotary Fan Press® is the right solution for your dewatering needs before making a capital investment? Our no-cost wet lab testing allows us to evaluate performance with your actual sludge. We even provide sample containers free of charge, making it simple to determine if the Rotary Fan Press is the ideal fit for your application.



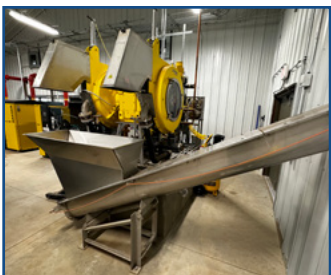
Pilot Testing

Once feasibility has been confirmed, Prime Solution can provide a pilot demonstration of the Prime Rotary Fan Press® directly at your facility. Our mobile trailer brings the press on-site, allowing you to observe its performance on your own sludge under real operating conditions. Following the demonstration, we conduct a full laboratory analysis of cake solids and filtrate, helping you identify the optimal chemistry and equipment configuration to achieve maximum results. A comprehensive performance report is then provided—at no cost.



Prime Customer Services

At Prime Solution, exceptional customer service is at the heart of everything we do. We are committed to being responsive, knowledgeable, and proactive, providing hands-on support from the first inquiry through the full lifecycle of your equipment. Our service offerings include customized preventive maintenance (PM) programs, new employee and refresher training, equipment upgrades, and on-site technical support to ensure your system operates at peak efficiency. We also offer Channel Adders, which allow you to expand the capacity of previously purchased equipment—delivering greater value and extended service life.



Prime Conveyors

Prime Solution can customize your solids transfer system, offering a variety of conveyor sizes and styles tailored to your application. When durability meets precision, you get more than a conveyor—you gain a competitive advantage. Our steel conveyor systems are engineered for reliability and long-term performance, ensuring consistent operation and delivering results you can count on.



PRIMEBLEND™ Polymer Preparation System

The PrimeBlend emulsion poly system is a compact, self-contained solution designed to optimize polymer preparation while minimizing polymer usage and maximizing efficiency.

Our BABA-compliant system delivers proven performance and reliability, backed by a quality design that offers considerable cost savings.

Originally developed as a key component of Prime's Rotary Fan Press® package, the PrimeBlend offers a simple, cost-effective polymer solution that meets a wide range of mechanical dewatering needs.

To begin the ordering process for a PRIMEBLEND™ system call (269) 694-6666



Please contact us if you would like to learn more about Prime Solution and the revolutionary Rotary Fan Press®.

610 S. Platt St. | Otsego, MI 49078 | (269) 694-6666 | psirotary.com